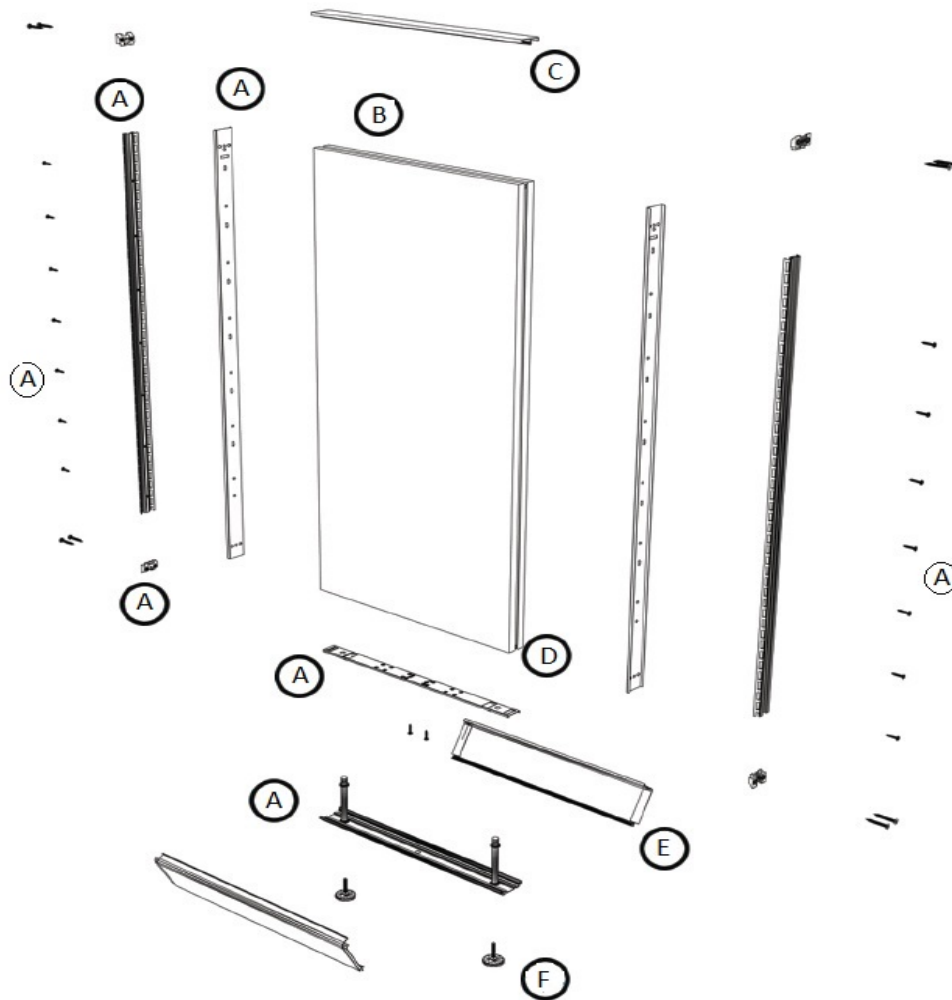


AO Disassembly Instructions



Disassembly Instructions are publicly available on our website - www.compatico.com

AO Monolithic Panel Disassembly Instructions



- A. Steel ♻️
- B. TAAC™
- C. Plastic
- D. Fiberglass
- E. Vinyl
- F. Steel ♻️/ABS Plastic ♻️

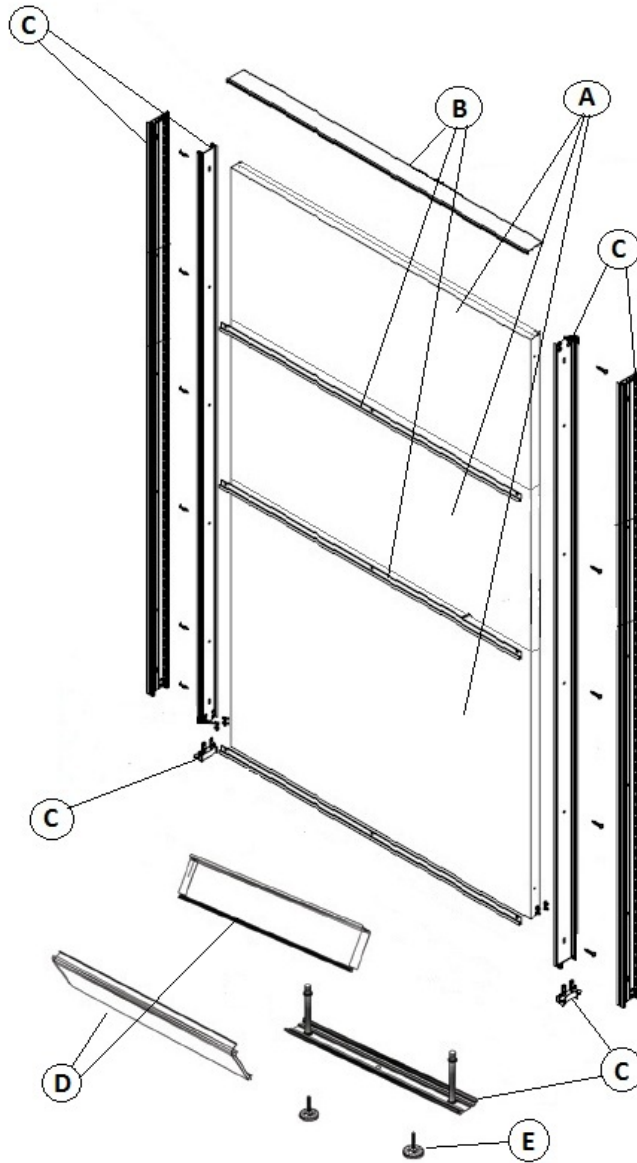
TOOLS REQUIRED: 1. Phillips and Flathead screwdrivers
2. Hammer or mallet

Estimated disassembly time: approximately 20 minutes

♻️ Denotes materials that can be recycled in at least 6 of the 10 U.S. EPA regions

Visit www.compatico.com under the Sustainability page for our Recycling Infrastructure Matrix and End of Life Recovery Options Matrix.

AO Fabric PolyPanel Disassembly Instructions



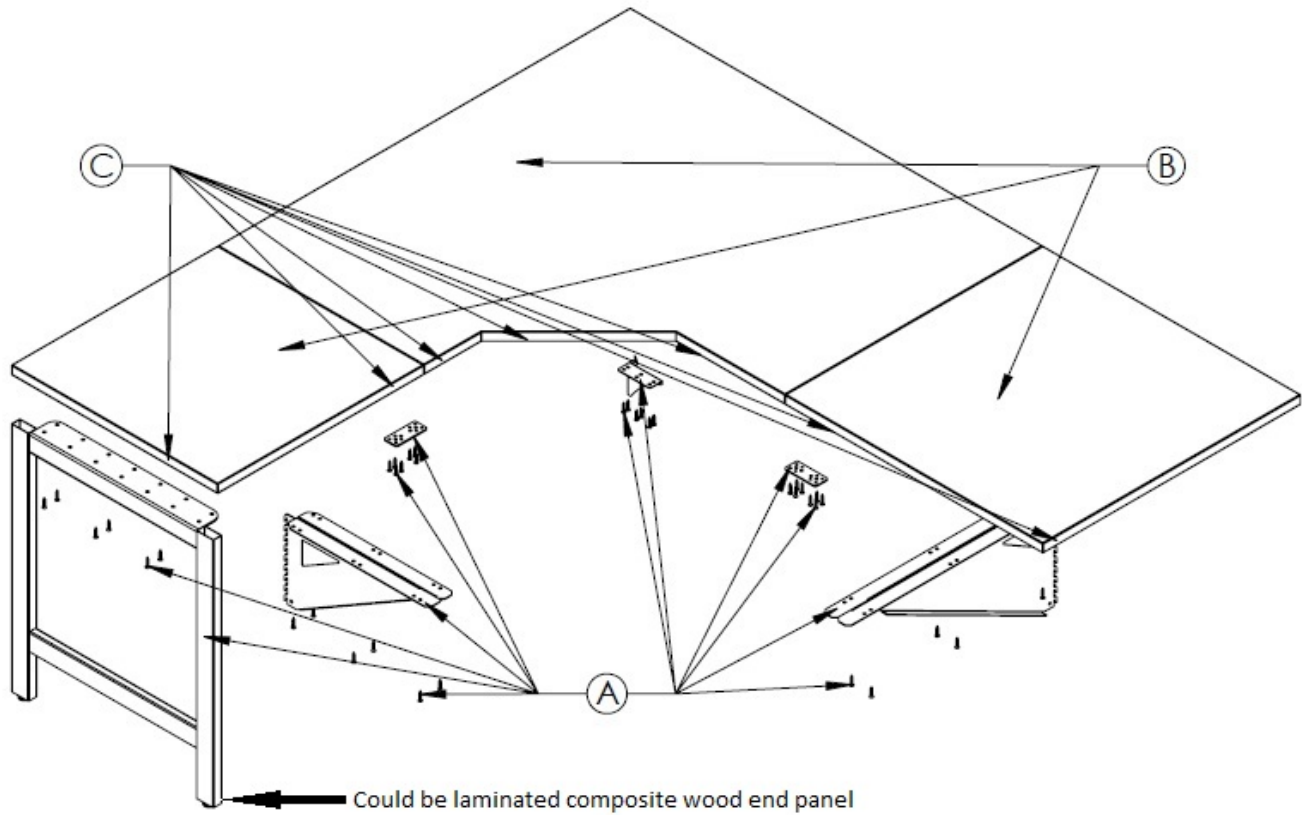
- A. TAAC™
- B. Aluminum
- C. Steel ♻️
- D. Vinyl
- E. Steel ♻️/ABS Plastic ♻️

TOOLS REQUIRED: 1. Phillips and Flathead screwdrivers
2. Hammer or mallet

Estimated disassembly time: approximately 20 minutes

♻️ Denotes materials that can be recycled in at least 6 of the 10 U.S. EPA regions

Work surface Disassembly Instructions



- A. Steel parts 
- B. Laminated composite wood
- C. Flexible PVC Plastic

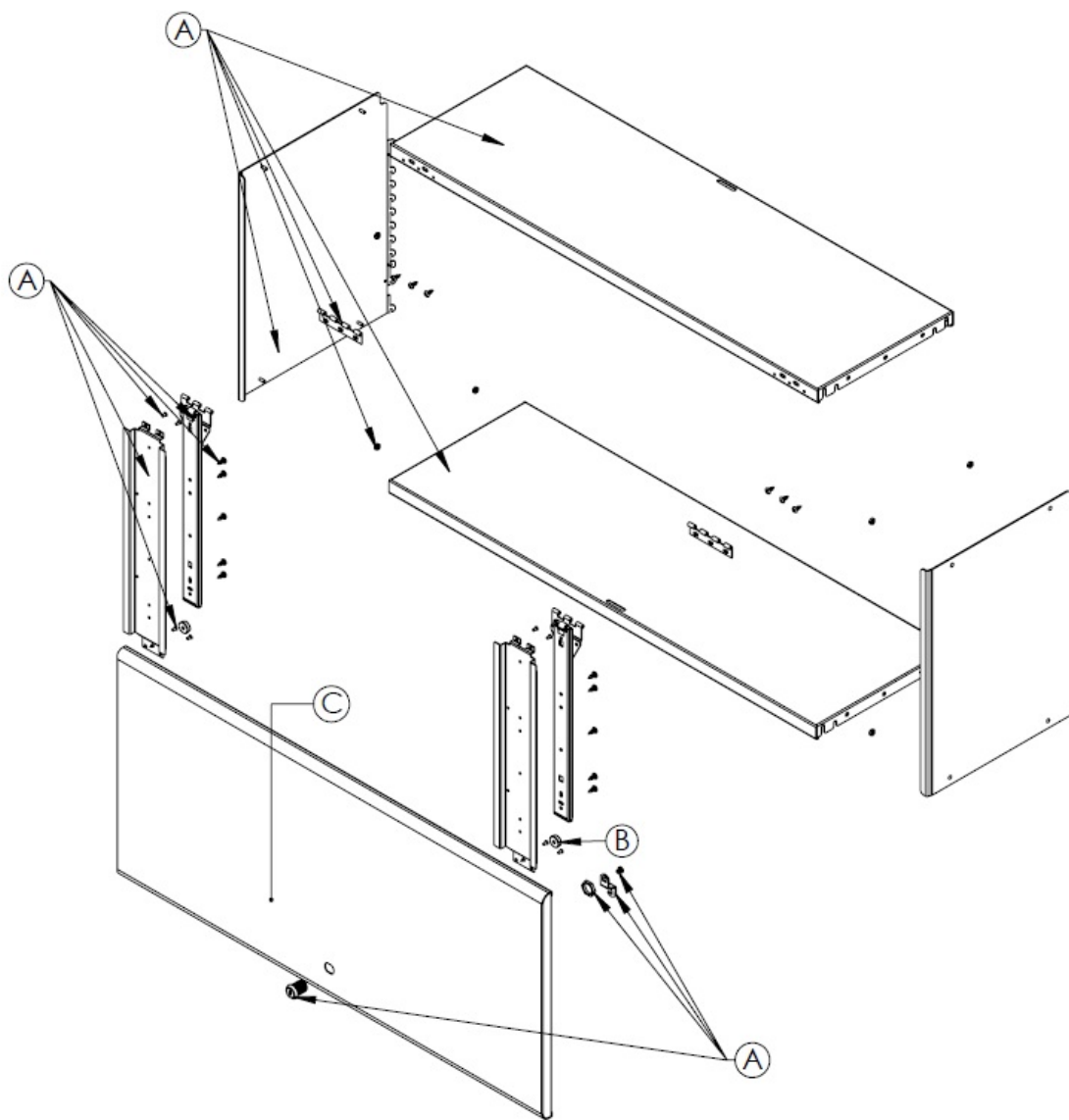
TOOLS REQUIRED:

1. Cordless drill
2. Phillips screwdriver

Estimated disassembly time: approximately 30 minutes

 Denotes materials that can be recycled in at least 6 of the 10 U.S. EPA regions

Overhead Disassembly Instructions



- A. Steel Components ♻️
- B. Plastic/Rubber Components
- C. Door Component = either steel ♻️ or laminated composite wood

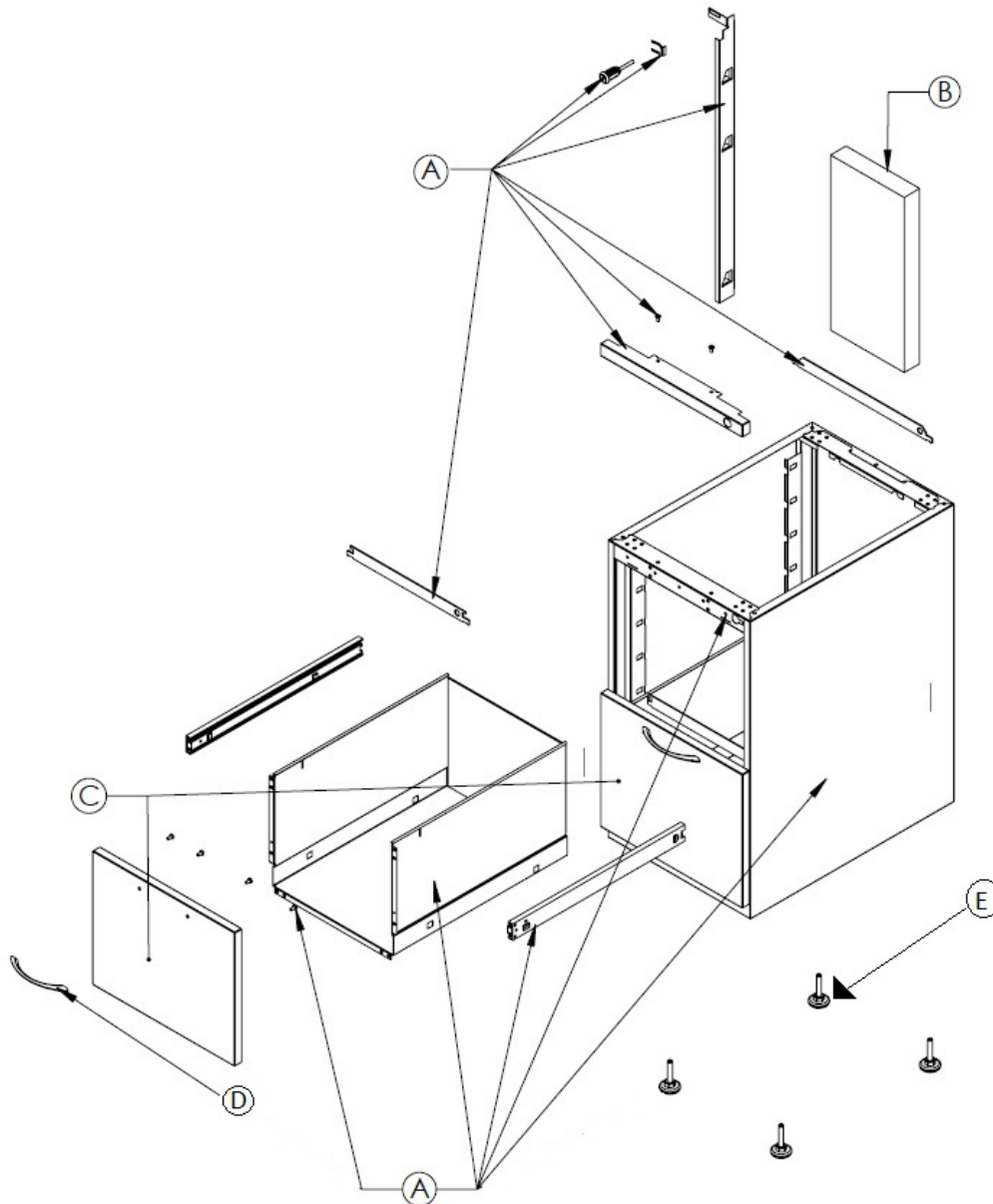
TOOLS REQUIRED:

1. Flathead and Phillips Screwdrivers
2. Cordless drill
3. 3/8 wrench

Estimated disassembly time: approximately 10 minutes

♻️ Denotes materials that can be recycled in at least 6 of the 10 U.S. EPA regions

Pedestal Disassembly Instructions



- A. Steel Components ♻️
- B. Cement
- C. Steel Face ♻️
- D. Zinc or plastic
- E. Steel ♻️ and plastic

TOOLS REQUIRED: 1. Cordless Drill
2. Flathead and Phillips Screwdrivers

Estimated disassembly time: approximately 20 minutes

♻️ Denotes materials that can be recycled in at least 6 of the 10 U.S. EPA regions