

GATHER BENCHING

Introducing Compatico's newest non-panel solution.

- Unique hidden attachments enable a clean look and rugged stability
- Easy and quick installation
- Modular flexibility for reconfigurations

Expandable to as many stations as needed using one primary bench kit and expansion kits

Gather Benching



GATHER BENCHING

Primary Bench - Single

Compatico Systems
Terms & Conditions

Surface Materials

AO2

CMW

G2/Genesis

Frames

Gather
Benching

Hush

Electrical

Storage

Worksurfaces

Conference &
Training Tables

Legs

Height Adjustable
Legs

Accessories

Folio™ Desking &
Energee™ Seating

References

DIMENSIONS	PRODUCT NUMBER	FINISH	LIST PRICE
Single x 48"	CMB1PP2448MS CMB1PP2448WD	Metallic Silver White Wonder	\$801.00
Single x 60"	CMB1PP2460MS CMB1PP2460WD	Metallic Silver White Wonder	\$823.00
Single x 72"	CMB1PP2472MS CMB1PP2472WD	Metallic Silver White Wonder	\$856.00



DESCRIPTION: Single Primary Bench fits either 24" or 30" Deep Worksurfaces.

FINISHES: Metallic Silver (MS) or White Wonder (WD)

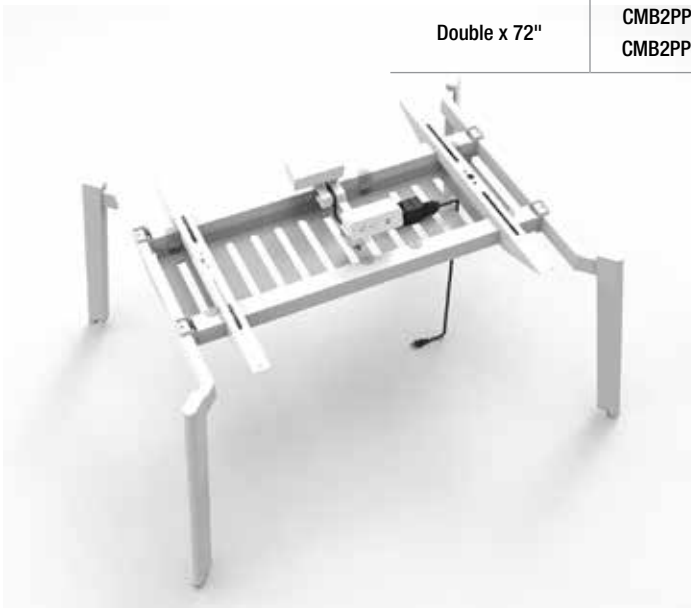
NOTE: All parts to make complete stand alone bench in one kit. Privacy Screen, Worksurface, 4-Trac Electrical and Storage sold separately.

Kit Includes: (2) pairs of legs with levelers, cross-member support and wire management trough.

* Electrical shown in drawing not included. (Specify Byrne 4-Trac and Electrical Accessories Separately).

Primary Bench - Double

DIMENSIONS	PRODUCT NUMBER	FINISH	LIST PRICE
Double x 48"	CMB2PP4848MS CMB2PP4848WD	Metallic Silver White Wonder	\$1,022.00
Double x 60"	CMB2PP4860MS CMB2PP4860WD	Metallic Silver White Wonder	\$1,107.00
Double x 72"	CMB2PP4872MS CMB2PP4872WD	Metallic Silver White Wonder	\$1,139.00



DESCRIPTION: Double Primary Bench fits either 24" or 30" Deep Worksurfaces.

FINISHES: Metallic Silver (MS) or White Wonder (WD)

NOTE: All parts to make complete stand alone bench in one kit. Privacy Screen, Worksurface, 4-Trac Electrical and Storage sold separately.

Kit Includes: (2) pairs of legs with levelers, cross-member support and wire management trough.

* Electrical shown in drawing not included. (Specify Byrne 4-Trac and Electrical Accessories Separately).

DIMENSIONS	PRODUCT NUMBER	FINISH	LIST PRICE
Single x 48"	CMB1PE2448MS CMB1PE2448WD	Metallic Silver White Wonder	\$485.00
Single x 60"	CMB1PE2460MS CMB1PE2460WD	Metallic Silver White Wonder	\$506.00
Single x 72"	CMB1PE2472MS CMB1PE2472WD	Metallic Silver White Wonder	\$544.00

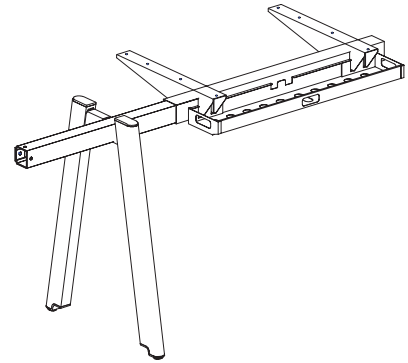
DESCRIPTION: Single Expansion Kit fits either 24" or 30" Deep Worksurfaces.

FINISHES: Metallic Silver (MS) or White Wonder (WD)

NOTE: All parts to add workstation(s) to a Primary Bench in one kit. Privacy Screen, Worksurface, 4-Trac Electrical and Storage sold separately.

Kit Includes: (2) pairs of legs with levelers, cross-member support and wire management trough.

Single Expansion Kit



DIMENSIONS	PRODUCT NUMBER	FINISH	LIST PRICE
Double x 48"	CMB2PE4848MS CMB2PE4848WD	Metallic Silver White Wonder	\$691.00
Double x 60"	CMB2PE4860MS CMB2PE4860WD	Metallic Silver White Wonder	\$776.00
Double x 72"	CMB2PE4872MS CMB2PE4872WD	Metallic Silver White Wonder	\$803.00

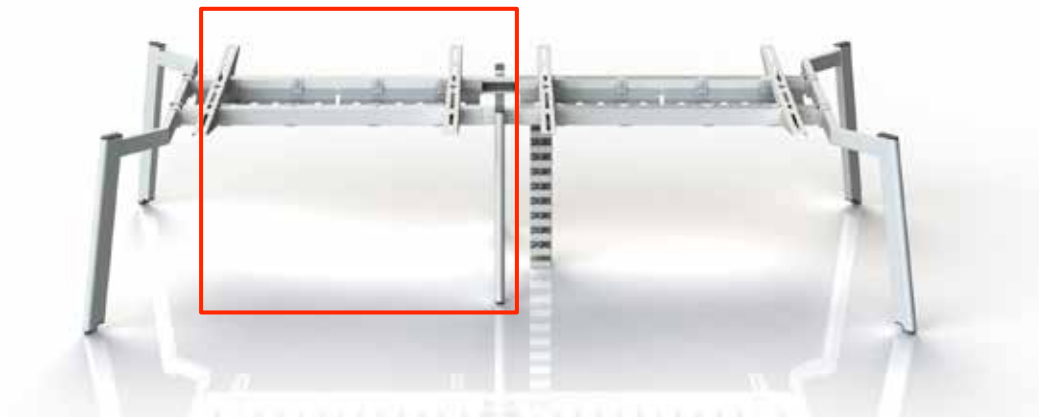
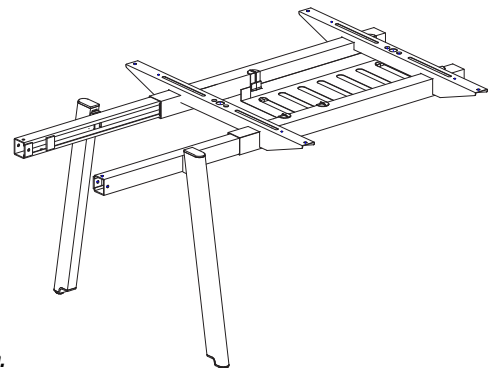
DESCRIPTION: Double Expansion Kit fits either 24" or 30" Deep Worksurfaces.

FINISHES: Metallic Silver (MS) or White Wonder (WD)

NOTE: All parts to add workstation(s) to a Primary Bench in one kit. Privacy Screen, Worksurface, 4-Trac Electrical and Storage sold separately.

Kit Includes: (2) pairs of legs with levelers, cross-member support and wire management trough.

Double Expansion Kit



Compatico Systems Terms & Conditions

Surface Materials

A02

CMW

G2/Genesis

Frames

Gather Benching

Hush

Electrical

Storage

Worksurfaces

Conference & Training Tables

Legs

Height Adjustable Legs

Accessories

Folio™ Desking & Energee™ Seating

References

GATHER BENCHING

To complement these structural components into a complete floor plan consider our many choices of:

- Worksurfaces
- Privacy Screens
- Electrical (Byrne 4-trac)
- Electrical and Electrical/Data Accessories

	DIMENSIONS		PRODUCT NUMBER	FINISHES	LIST PRICE
	WIDTH	HEIGHT			
Tackable Divider Screen	48	14 1/2	CMBDS48	Salt N Pepper Ebony Cashmere Graphite	\$331.00
	60	14 1/2	CMBDS60	Salt N Pepper Ebony Cashmere Graphite	\$409.00
	72	14 1/2	CMBDS72	Salt N Pepper Ebony Cashmere Graphite	\$436.00



DESCRIPTION: A 3-Ply 1 1/8" thick tackable acoustical non-woven polyester divider screen.

Screen easily slides over the tackable divider screen hardware kits.

FINISHES: Salt N Pepper (GP03), Ebony (GP09), Cashmere (GP35) and Graphite (GP04)

NOTE: Screen width 2" less than nominal. Can be used on primary or expansion benches.

Tackable Divider Screen Hardware Kits



Single Sided Kit

Double Sided Kit

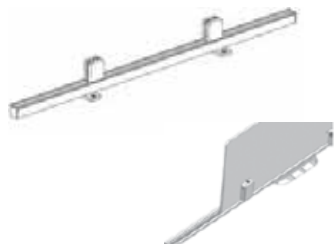
DESCRIPTION	PRODUCT NUMBER	LIST PRICE
Kit for single sided bench	CMBDSHWKS	\$60.00
Kit for double sided bench	CMBDSHWKD	\$44.00

DESCRIPTION: Includes posts, post grommets and clamps. For use with the 1/4" fabric and glass privacy screens.

FINISHES: Specify color options by adding suffix MS (Metallic Silver) or WD (White Wonder) to part numbers.

NOTE: Screen Hardware kits for single and double sided bench can be used on primary or expansion benches.

	LENGTH	DESCRIPTION	PRODUCT NUMBER	LIST PRICE
Privacy Screens Hardware Kits	48"	Aluminum Bench channel with rail, two clamps and two end caps.	CMBFLAGPSHWK48	258.00
	60"		CMBFLAGPSHWK60	293.00
	72"		CMBFLAGPSHWK72	329.00



DESCRIPTION: Worksurface channel to hold Compatico privacy screens (fabric or glass).

FINISHES: Specify color options by adding suffix MS (Metallic Silver) or WD (White Wonder) to part numbers.

DIMENSIONS		PRODUCT NUMBER	GR. 1 LIST PRICE	GR. 2 INCREASE	GR. 3 INCREASE	ADV VE DECREASE	ADV X DECREASE	ADV + DECREASE
H x W								
14 x 46		GBFS14H46W	\$247.00	\$20.00	\$50.00	-\$82.00	-\$62.00	-\$41.00
14 x 58		GBFS14H58W	\$482.00	\$57.00	\$143.00	-\$228.00	-\$171.00	-\$114.00
14 x 70		GBFS14H70W	\$582.00	\$69.00	\$172.00	-\$275.00	-\$206.00	-\$137.00

DESCRIPTION: Custom Privacy Screen 1/4" thick with fabric on both sides. Fits with privacy channel (sold separately-see Privacy Screen Hardware Kits).

NOTE: Width of screen is 1" less than nominal for standard worksurface width.

Fabric Privacy Screen

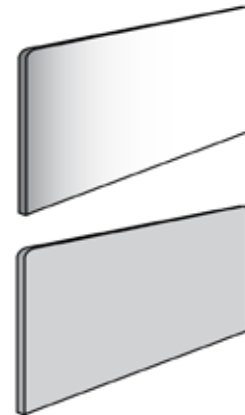


DIMENSIONS		PRODUCT NUMBER	GR. 1 LIST PRICE
H x W			
<i>CLEAR</i>			
14 x 46		GBASC14H46W	\$314.00
14 x 58		GBASC14H58W	\$490.00
14 x 70		GBASC14H70W	\$591.00
<i>FROSTED</i>			
14 x 46		GBASCF14H46W	\$321.00
14 x 58		GBASCF14H58W	\$499.00
14 x 70		GBASCF14H70W	\$594.00

DESCRIPTION: Custom Privacy Screen 1/4" thick in either clear or frosted tempered glass. Fits with privacy channel (sold separately-Privacy Screen Hardware Kits).

NOTE: Width of screen is 1" less than nominal for standard worksurface width.

Glass Privacy Screen
(Clear or Frosted)



SPECIAL REQUESTS: For laminate or whiteboard screens – please contact Compatico Project Management.

PRODUCT NUMBER	FINISH	GR. 1 LIST PRICE
CMBHLEGWD	WHITE	\$225.00
CMBHLEGMS	SILVER	\$225.00

DESCRIPTION: Canted double leg to match Gather Benching design for work surface support applications. Flat Plate (18" x 5") on top of legs to screw into underside of worksurface. Outside dimension from base of leg to base of leg is 24".

FINISH: White (WD) and Silver (MS)

Double Leg



Compatico Systems Terms & Conditions

Surface Materials

A02

CMW

G2/Genesis

Frames

Gather Benching

Hush

Electrical

Storage

Worksurfaces

Conference & Training Tables

Legs

Height Adjustable Legs

Accessories

Folio™ Desking & Energee™ Seating

References

Compatico Systems
Terms & Conditions

Surface Materials

AO2

CMW

G2/Genesis

Frames

Gather
Benching

Hush

Electrical

Storage

Worksurfaces

Conference &
Training Tables

Legs

Height Adjustable
Legs

Accessories

Folio™ Desking &
Energiee™ Seating

References

SEE WORKSURFACE, STORAGE, ELECTRICAL AND ACCESSORIES SECTIONS.

